

Marshall Electronics

MC-0201-4 Distribution Amplifier Users Guide

1 Product Overview

The **MC-0201-4** S-Video to composite conversion module fills a void that has long existed in Professional and Multimedia applications. Until now, the only way to convert S-Video to composite was by using a very low quality passive device or expensive boxes that lacked in capability. The MC-0201-4 is the only product of its type available, providing simultaneous conversion of 4 separate S-Video (Y/C) channels to composite video. The S-Video is processed and amplified for output to another device like a vision mixer or VCR. Compare the features and price of the MC-0201-4 to similar devices and you will be pleasantly surprised. In most cases the MC-0201-4 provides 4 channels of conversion compared to other products providing only 1 channel at a similar price point.

2 Features

- Four channels of conversion in each MC-0201-4.
This is a perfect fit for use of S-Video signals with the Marshall Electronics 4 screen monitor set model V-R44P.
- S-Video signal loops out for use with downstream equipment like switcher, vision mixer, or VCR
- Compact design can be installed on the tabletop, wall mounted or placed into a standard 19" EIA rack using the optional V-CRM2 rack kit.
- Full bandwidth conversion of S-Video (Y/C) chrominance and luminance components to composite video.
- Low Power consumption less than 10 watt
- Operates from 6 Volt DC

3 Electrical Specifications

Signal Input	Y/C Video 4 pin Mini- din x 4 channels
Signal Output	Composite Video BNC Plus Y/C Video 4 pin Mini- din x 4 channels
Bandwidth	>7mhz
K factor	<1%
Signal to Noise	>60 db
Differential Gain	<0.4%
Differential Phase	0.40
Input Cable length	Up to 100ft

4 Mechanical Specifications

Dimensions	7.625"W x 4.125"D x 1.0"H
MC-0201-4 Weight	1.15 lbs (.52kg)
V-PS6-1.2A Power Supply Weight	0.20 lbs (0.10kg)

5 Accessories

- Included:**
1. Power Supply (Class 2)
 2. Users Guide
 3. Wall Mount Brackets

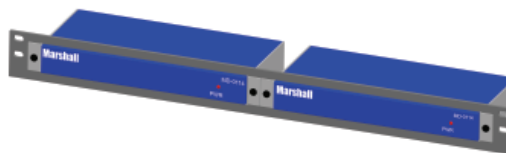


Power Supply (Class 2)

- Optional:**
1. Desktop Stand (Model V-CB1)
 2. 2 Module Rack Mount Kit (Model V-CRM2)
 3. S-Video Cable (Model TCS5139-x)(x=length in feet 1,6,12,20,30,50,75,100)
 4. BNC Cable (Model 9406M 6ft)



V-CB1 Desktop Stand

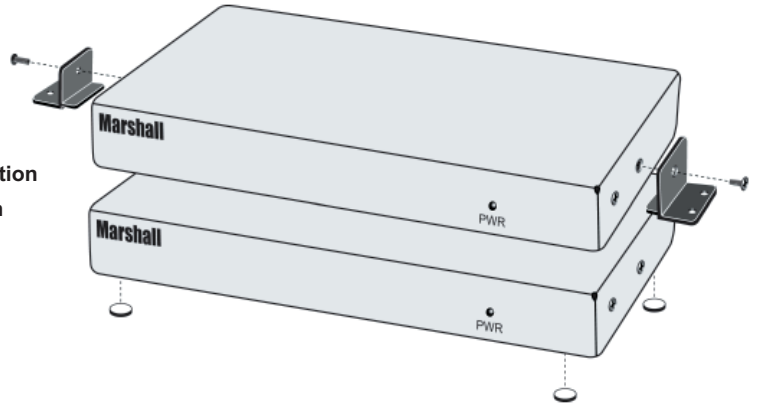


2 Module Rack Mount Kit (Model V-CRM2)

6 Operational Setup

1. Unpack the MC-0201-4, and accompanying V-PS6-1.2A power supply and physically inspect for any damage that may have occurred during shipping. Also verify there is a small package with mounting accessories. Should there be any damage, immediately contact Marshall Electronics at 800-800-6608. If you are not located within the continental United States call +1 310-333-0606.
2. Install in your desired location. If wall mounting is required, attach the mounting brackets by removing the Phillips head screws on the sides, closest to the rear of the unit. (See below) Only one screw per side should be removed. Use the same screw to attach the bracket with the flange facing away from the side and parallel to the front of the MC-0201-4 metal case. The flange has two holes. For desktop use, apply the supplied rubber pads.
3. Connect required cables for signal input and output. Plug the power supply into the A.C. source
4. Attach power connection to the back of the unit to turn on power. Verify power on indicator active on the front of the MC-0201-4

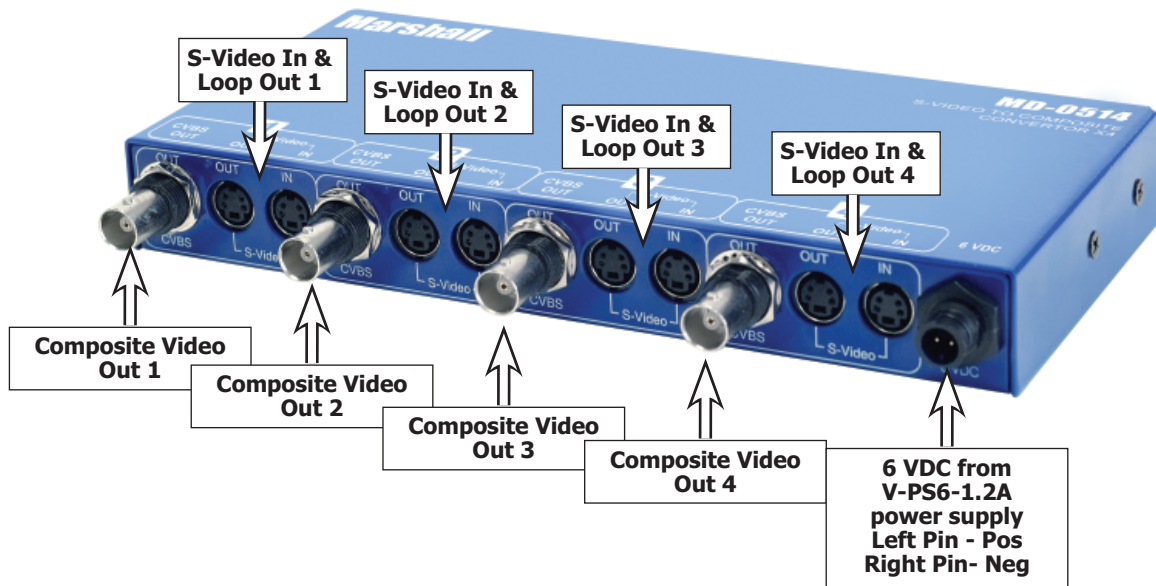
Bracket Installation
Feet Installation



7 Connectors

S-Video Out
4 Pin Din (Female)
Pin1 - GND
Pin2 - GND
Pin3 - Yout
Pin4 - Cout

S-Video In
4 Pin Din (Female)
Pin1 - GND
Pin2 - GND
Pin3 - Yin
Pin4 - Cin



8 Warranty

Marshall Electronics warrants to the first consumer, that this MC-0201-4 Distribution Amplifier will, under normal use, be free from defects in workmanship and materials, when received in its original container, for a period of one year from the purchase date.

This warranty is extended to the first consumer only and proof of purchase is necessary to honor the warranty. If there is no proof of purchase provided with a warranty claim, Marshall Electronics reserves the right, not to honor the warranty set forth above.

Therefore, labor and parts may be charged to you.

This warranty does not apply to product exterior and cosmetics. Misuse, abnormal service or handling, improper alterations or modifications in design or construction, voids this warranty. No sales personnel of the seller, nor any other person is authorized to make any warranties other than those described above, or to extend the duration of any warranties on behalf of Marshall Electronics, beyond the time period described above.

Due to constant effort to improve products and product features, specifications may change without notice.